

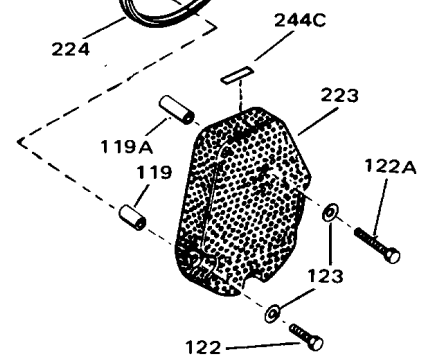
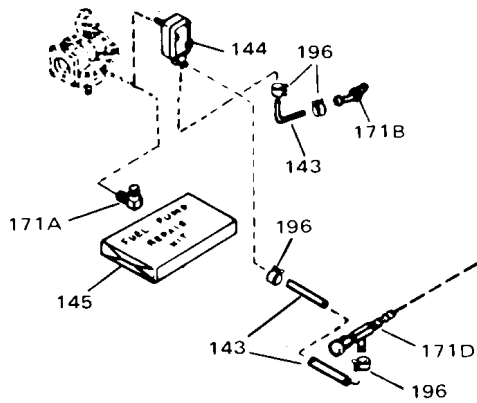
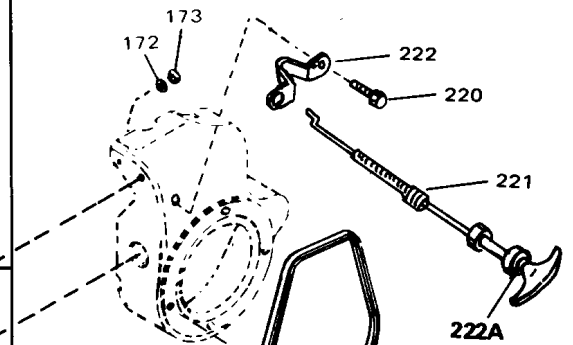
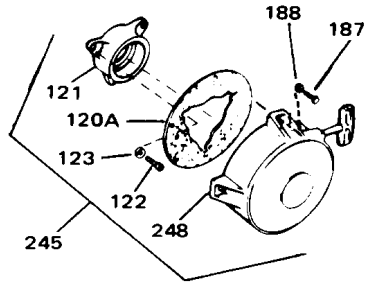
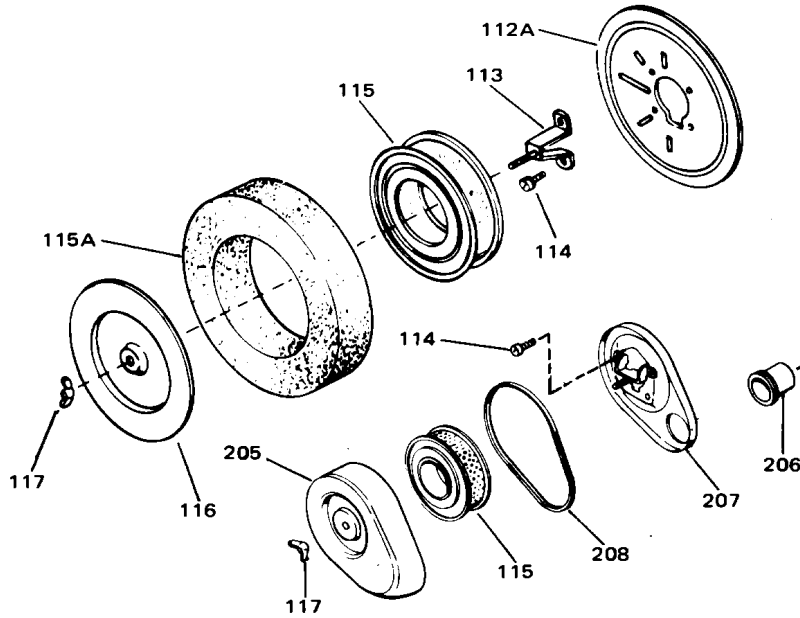
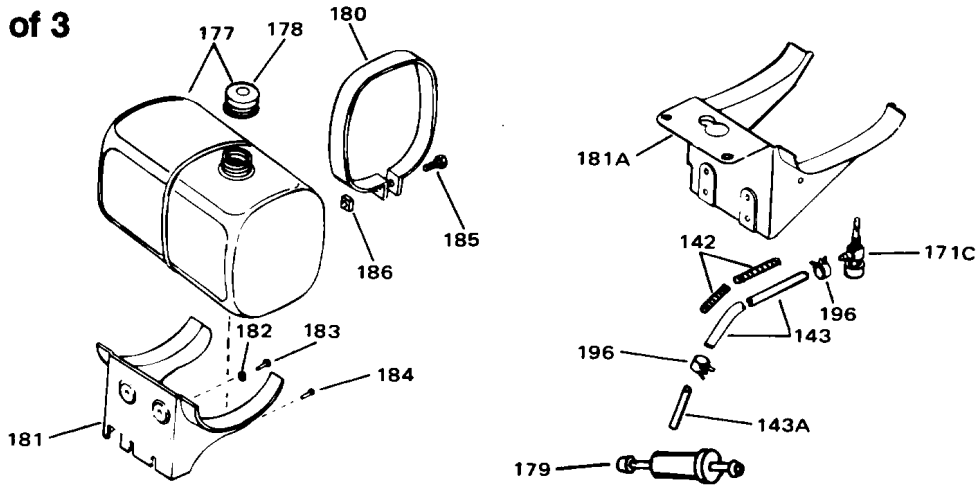
12.12.2005 10:08.304

Illustration #2

REF	ITEM #	DESCRIPTION	REMARK
39	650128	Screw, 10-24 x 1/2"	
40A	34283	Cover, Cylinder head	
40B	34284	Cover, Cylinder head	
82	30063	Screw, 1/4-20 x 1/2"	
126A	35731	Muffler (Incl. 126B)	
141		Gear, Counterbalance Weight	(Straight teeth) (For replacem
148	610902	Alt.Coil Ass'y. (Incl.162,163,	(20 amp)
149	650521	Screw, 10-32 x 1-1/8"	
153	650781	Screw, 5/16-18 x 11/16"	(Use w/33835 str.motor)
153	792028	Screw, 5/16-18 x 7/8"	(Use w/32817 str.motor)
162A	610903	Connector, Flat	
163	610904	Terminal	
163A	610905	Terminal	
209	730178	Ech.Adapter Kit (Incl.210 & 21	(As required)
210	34102B	Gasket, Exhaust (Use as requir	
211	30196	Screw, 5/16-18 x 3/4"	(Use as required)
238	730212	Adapter Plate Kit	(Optional) NOTE: If you are
249	33835	Electric Starter Motor	(12-Volt) (Refer to Division

ILLUSTRATION SHOWS TYPICAL PARTS ONLY. ORDER BY PART NUMBER. PARTS NOT LISTED ARE SUPPLIED BY OEM.

VIEW 3 of 3

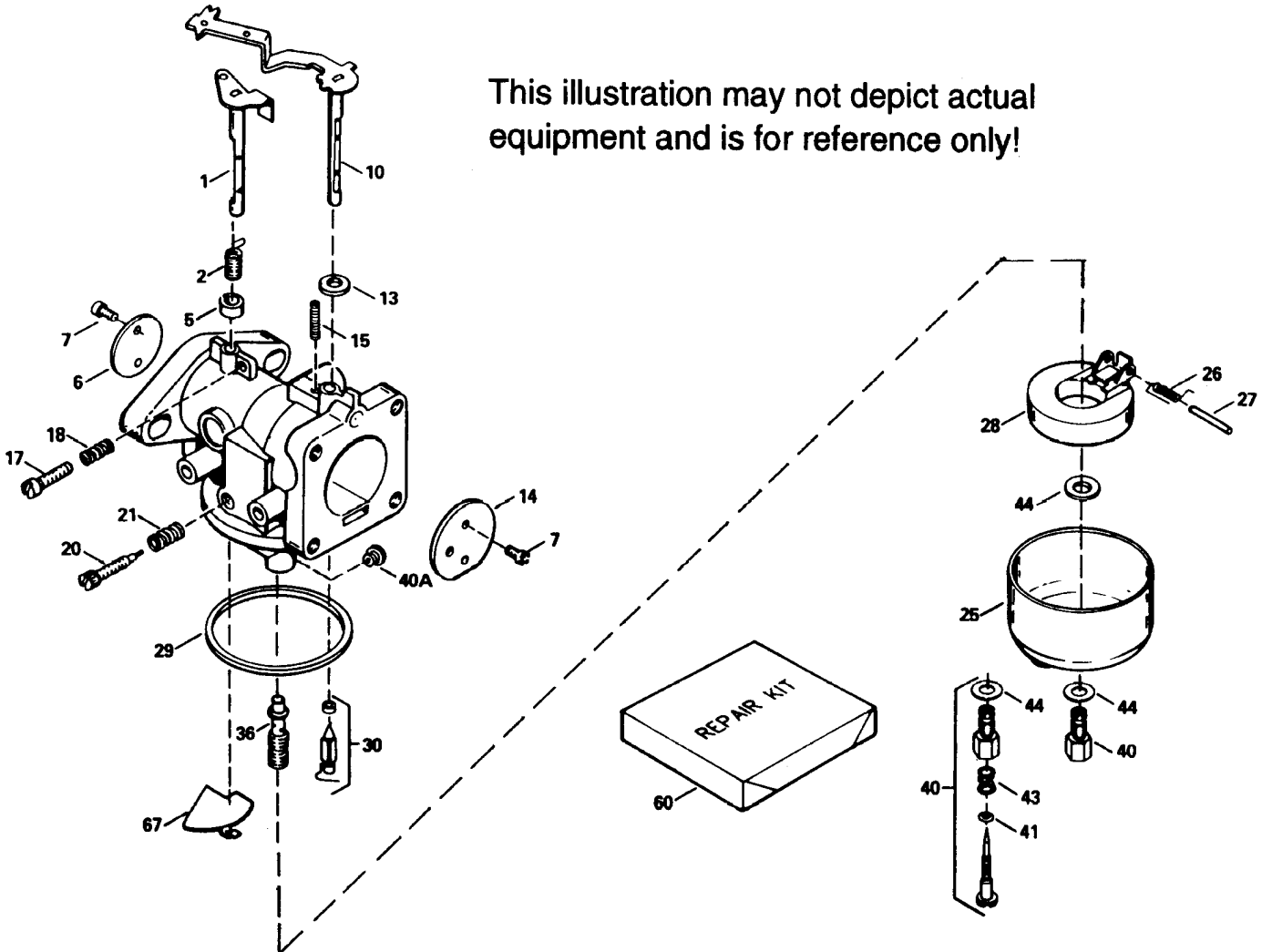


12.12.2005 10:08.304

Illustration #3

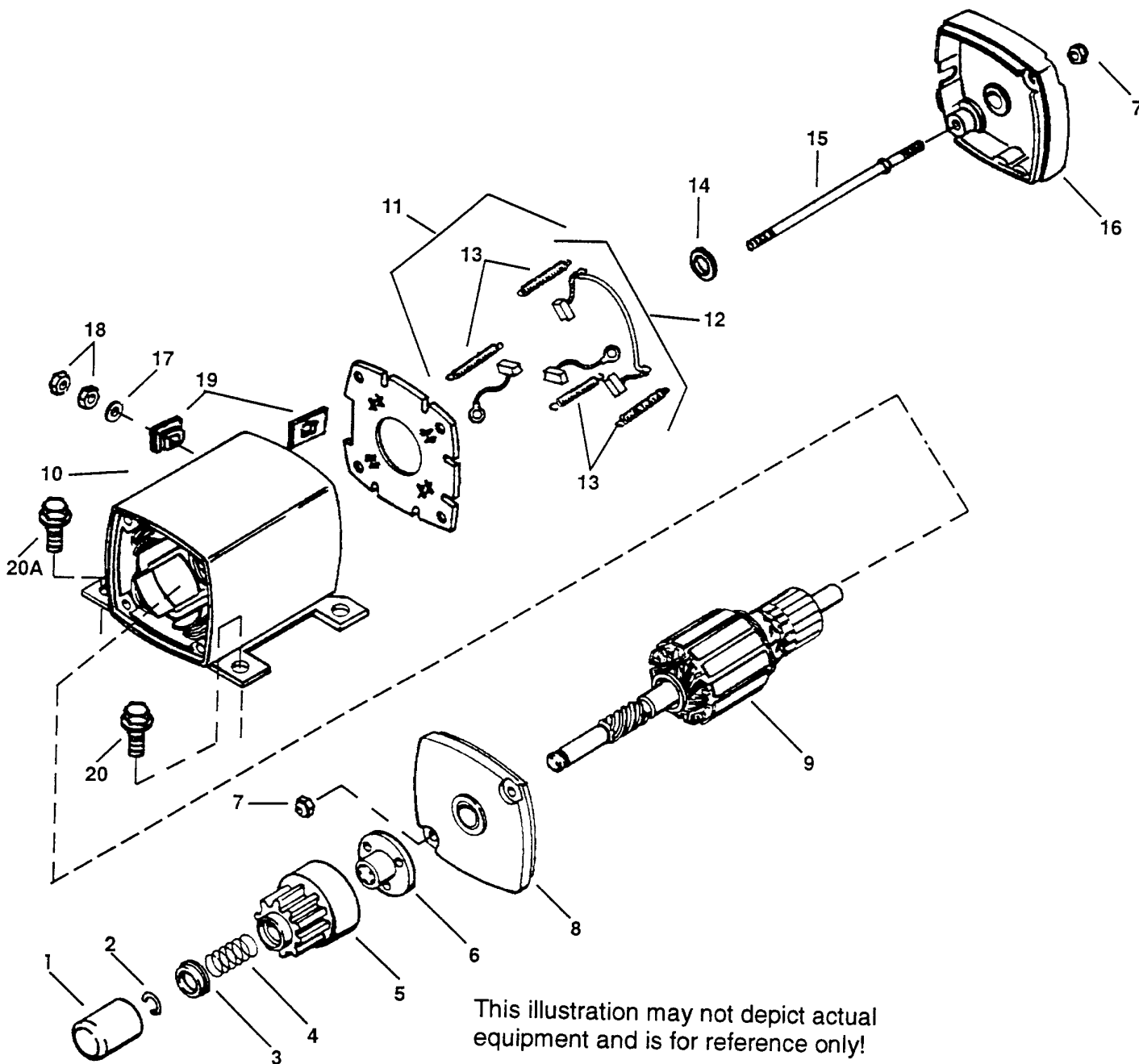
REF	ITEM #	DESCRIPTION	REMARK
114	650399	Screw, 10-32 x 5/8"	
115	32008	Element, Air cleaner	
117	650513	Nut, Wing	
119	32426	Spacer, Screen	
122	650670	Screw, 1/4-20 x 3/4"	
123	650675	Washer, Flat	
143	29774	Fuel Line (Braided 8.25")(21 c	(As required)
143	30705	Fuel Line (Braided 16")(41 cm)	(As required)
143	30962	Fuel Line (Braided 32")(81 cm)	(As required)
144	35018	Pump, Impulse fuel	
145	33010	Repair Kit, Impulse fuel pump	
171B	32958	Fitting, Fuel pump	
178	34210	Fuel Cap	(Red Plastic) (Spurt resistan
178	410144B	Fuel Cap (White Plastic)(Std)	(As required)
196	26460	Clamp, Fuel line (Use as requi	
205	34193	Cover, Air cleaner	
206	34194A	Tube, Air cleaner	
207	35473	Bracket, Air cleaner	
208	34197	Gasket, Air cleaner	
245	730134	Rewind Starter Kit	(Incl.120A, 121, 122, 187, 18

This illustration may not depict actual equipment and is for reference only!



12.12.2005 10:08.304  
CA-632151 Illustration

RE	ITEM #	DESCRIPTION	REMARK
0	632151	Carburetor	
1	632160	Throttle Shaft & Lever Assy.	
2	32096	Throttle Return Spring	
5	632039	Dust Seal (Throttle)	
6	631682	Throttle Shutter	
7	650506	Throttle & Choke Shutter Screw	
10	631683	Choke Shaft & Lever Assy.	
13	632040	Dust Seal (Choke)	
14	631684	Choke Shutter	
15	27113	Choke Positioning Spring	
17	650399	Idle Speed Screw	
18	27114	Tension Spring	
20	27112	* Idle Mixture Screw	
21	27114	Idle Tension Spring	
25	29170	Float Bowl	
26	31503	Float Dampening Spring	
27	27106	* Shaft, Float	
28	27105	Float	
29	27109	* O Ring, Float Bowl to Body	
30	631687	* Inlet Needle, Seat & Clip (I	
36	632153	Main Nozzle Tube	
40	632154	* High Speed Bowl Nut	
44	27110	* Bowl Nut, Washer	
60	632155	Repair Kit	(Incl. Parts Marked with *)



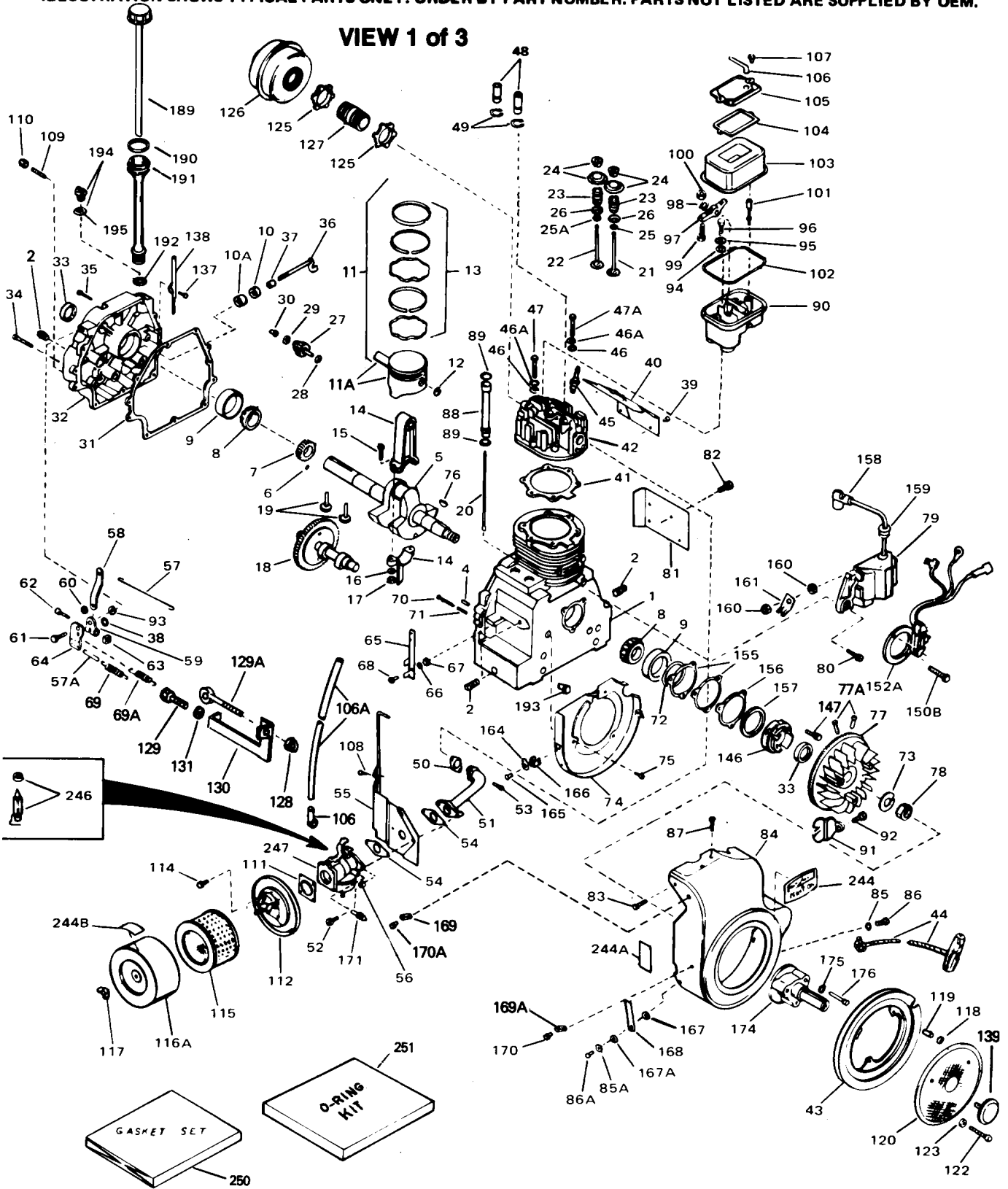
This illustration may not depict actual equipment and is for reference only!

12.12.2005 10:08.304  
ES12-4-33835 Illustration

REF	ITEM #	DESCRIPTION	Q
0	33835	Electric Starter Motor (12 Vol	1
1	33841	Dust Cover	1
2	33842	Retainer Ring	1
3	33843	Spring Retainer	1
4	33854	Anti-drift Spring	1
5	33844	Gear	1
6	33433A	Nut & Retainer (Incl. 2)	1
7	33450	Lock Nut	4
8	33845	Drive End Cap Ass'y.	1
9	33846	Armature	1
10	33847	Housing Ass'y.	1
11	33848	Brush Card Ass'y. (Incl. 12)	1
12	33849	Brush & Spring Kit (Incl. (4)	1
13	33850	Brush Spring	4
14	590500	Thrust Washer	1
15	33851	Bolt, 10-32 x 5-1/4"	2
16	33852	Commutator End Cap Ass'y.	1
17	650168	Washer	1
18	650864	Nut	2
19	34685	Terminal Insulaator	2
20	650781	Screw, 5/16-18 x 11/16"	2
20A	650797	Screw, 5/16-18 x 1/2"	1

ILLUSTRATION SHOWS TYPICAL PARTS ONLY. ORDER BY PART NUMBER. PARTS NOT LISTED ARE SUPPLIED BY OEM.

VIEW 1 of 3





## Illustration #1

REF	ITEM #	DESCRIPTION	REMARK
1	34623A	Cylinder (Incl. 2, 4 & 33)	(3-5/8" Bore)
2		Pipe Plug (3/4-14 sq.hd.)(As r	(Buy local)
2	28483	Pipe Plug (3/8-18 hex counters	(As req.)
2	28534	Pipe Plug	(1/8-27 hex c/sunk headless)(A
2	31927	Pipe Plug, 3/8-18 sq. head	(Use as required)
2	9556	Pipe Plug (1/8-27 sq. hd.)	(Use as required)
4	27652	Pin, Dowel	
5	34196A	Crankshaft	(Incl. 6 thru 9) NOTE: When
6	29783	Pin, Crankshaft gear	
7	31931	Gear, Crankshaft (Straight)	
8	31932	Bearing, Tapered roller	
9	31928	Cup, Bearing	
11	34624	Piston, Pin & Ring Set (Std.)	(3-5/8" Bore)
11	34625	Piston, Pin & Ring Set (.010"	
11	34626	Piston, Pin & Ring Set (.020"	
11A	34629	Piston & Pin Ass'y. (Std.)(3-5	(Incl. 12)
11A	34630	Piston & Pin Ass'y. (.010" OS)	(Incl. 12)
11A	34631	Piston & Pin Ass'y. (.020" OS)	(Incl. 12)
12	34634	Ring, Piston pin retaining	
13	34635	Ring Set (Std.) (3-5/8" Bore)	
13	34636	Ring Set (.010" OS)	
13	34637	Ring Set (.020" OS)	
14	34640	Connecting Rod Assy.	(Incl. 15, 16 &17)
14	35243	Connecting Rod Assy.(.010" US)	(Incl.15,16,17)
14	35244	Connecting Rod Assy.(.020" US)	(Incl.15,16,17)
15	32077	Bolt, Connecting rod	
16	26073	Washer, Connecting rod	
17	28264	Nut Assy.	
18	33470	Camshaft (MCR) (Straight)	
19	33472	Lifter, valve	
20	33471	Rod, Push	
21	34643	Intake Valve (Std.)	
21	34644	Intake Valve (1/32" OS)	
22	33506	Exhaust Valve (Std.)	
22	33646	Exhaust Valve (1/32" OS)	
23	33507	Spring, Valve	
24	33508	Retainer & Cap Set, Keeper val	
25	33509	* "O" Ring (Intake only)	(Also Incl. in 251)
25A	34410	* "O" Ring (Exhaust only)	(Also Incl. in 251)
26	33510	Cap, Valve	
27	33473	Governor Gear & Shaft Ass'y.	(Straight)
28	650745	Washer, Flat	
29	30590A	Washer, Flat	
29	35479	Washer, Flat (Use with 35322 s	
30	31948	Spool, Governor	
31	31956B	* Gasket, Cylinder cover	
32	32580A	Cylinder Cover Assy.	(Incl.2,33,36,37 & 38)
33	31950	* Seal, Oil	
34	650451	Screw, 1/4-20 x 1"	
35	650588	Screw, 1/4-20 x 2"	
36	32425	Rod Assy., Governor	
37	32426	Spacer, Governor rod	
38	29193	Ring, Retaining	
39	650128	Screw, 10-24 x 1/2"	
41	34641A	* Gasket, Cylinder head	
42	34642	Head, Cylinder	
45	34645	Resistor Spark Plug (RN-4C)	
46	650690	Washer, Belleville	
46A	650691	Washer, Flat	
47	650692	Screw, 5/16-18 x 1-3/4"	
47A	650746	Screw, 5/16-18 x 1-3/8"	
48	730218	Valve Guide Kit (Incl. 49)	
49	792035	Ring, Retaining	
50	33515A	* Gasket, Intake pipe	
51	33475	Pipe, Intake	
52	650378	Screw, Torx T-30, 5/16-18 x 1-	
53	792028	Screw, 5/16-18 x 7/8"	
54	33476A	* Gasket, Carburetor	
55	34285	Baffle, Air extension	
56	792075	Nut, Lock 5/16-24	(Used in early production)

57	33478	Link, Governor lever-to-thrott	lever
58	31963	Lever, Governor	
59	31964	Clamp, Governor lever	
60	650518	Lockwasher, No. 10 E.T.	
61	30312	Screw, 10-32 x 1/2"	
62	650544	Screw, Torx T-25, 10-24 x 7/8"	
63	7975	Nut, 10-24	
64	31965	Plate, Governor spring	
65	31984A	Lever Assy., Control	
66	28558	Washer, Wave	
67	31966	Bushing, Governor lever	
68	650597	Screw, 10-24 x 5/8"	
69	31967	Spring, Governor	
70	650591	Screw, 10-24 x 2"	
71	33099	Spring	
72	32599	"O" Ring (Incl. in 251)	
73	650615	Washer, Flat	
74	32579	Baffle, Blower housing	
75	650561	Screw, 1/4-20 x 5/8"	
76	650592	Key, Flywheel	
77	610909	Flywheel	
77A	730201	Trigger Pin Kit (Use as requir	
78	650616	Nut, Flywheel	
79	610906	Solid State Magneto	(Incl. 158 thru 161)
80	650661	Screw, 1/4-20 x 3/4"	
82	30063	Screw, 1/4-20 x 1/2"	
83	650751	Screw, 1/4-20 x 7/16"	
84	34195B	Blower Hsg.(Incl.218,219)	(For elec.starter)
85	8274	Washer, Lock	
85A	8274	Washer, Lock	
86	650595	Screw, 5/16-24 x 3/8"	
86A	650595	Screw, 5/16-24 x 3/8"	
87	650752	Screw, 1/4-20 x 7/16"	
88	35475	Tube, Push rod	
89	33481	* "O" Ring (Also Incl. in 251)	
90	34754	Housing, Rocker arm	
94	33484	* "O" Ring (Also Incl. in 251)	
95	650168	Washer, Flat	
96	32610A	Screw, 1/4-20 x 29/32"	
97	33485	Arm, Rocker	
98	33486	Ring, Retaining	
99	650755	Screw, 1/4-20 x 3/4"	
100	650864	Nut, Hex, 1/4-20	
101	650756	Stud, Rocker arm	
102	33487	* "O" Ring (Also Incl. in 251)	
103	33488	Cover, Rocker arm	
104	31958A	* Gasket, Breather (Also Incl.	
105	33489	Body Assy., Breather	
106	33490	Tube, Breather	
107	30102	* Screw, 10-32 x 5/8"	(Also Incl. in 251)
108	650738	Screw, 1/4-20 x 5/8"	
111	35471	* Gasket, Air cleaner	
114	650399	Screw, 10-32 x 5/8"	
115	32008	Element, Air cleaner	
117	650513	Nut, Wing	
119	32426	Spacer, Screen	
120	32953	Screen	
122	650670	Screw, 1/4-20 x 3/4"	
123	650675	Washer, Flat	
146	32577	Cover, Cylinder	NOTE: Determine the gap betw
147	792028	Screw, 5/16-18 x 7/8"	
155	31971	* Gasket, Shim	(.004/.005 thick) NOTE: Dete
156	31972	* Gasket, Shim	(.005/.007 thick) NOTE: Dete
157	32031	* Spacer, Steel	(.010 thick) NOTE: Determine
158	610118	Cover, Spark plug	
159	610750	Grommet, Lead wire	
160	610408	Nut, 8-32	
161	610908	Terminal, Female	
174	32252	Shaft, Flywheel extension	
175	27513	Lockwasher, Split	
176	792051	Screw, 1/4-20 x 1-3/4"	
189	33068	Dipstick (Incl. 190)	
190	29985	"O" Ring	
191	32352	Tube, Oil filler	
192	29673	* Gasket, Oil filler tube	
244	34346	Decal, Instruction	
244A	34768	Decal, Name	
244A	550223	Decal, Name	

244B	31752	Decal, Air cleaner	
246	631687	Valve, Seat & Spring Assy.	
247	632151	Carburetor	(Incl. 54 & 246) (Refer to Di
250	33516F	* Gasket Set (Incl. items mark	
251	35075	"O" Ring Kit	(Incl. Nos. items marked +)

ILLUSTRATION SHOWS TYPICAL PARTS ONLY. ORDER BY PART NUMBER. PARTS NOT LISTED ARE SUPPLIED BY OEM.

VIEW 2 of 3

